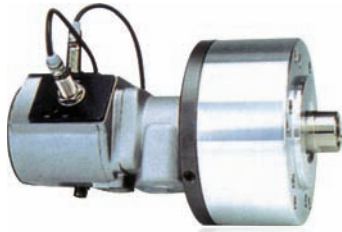


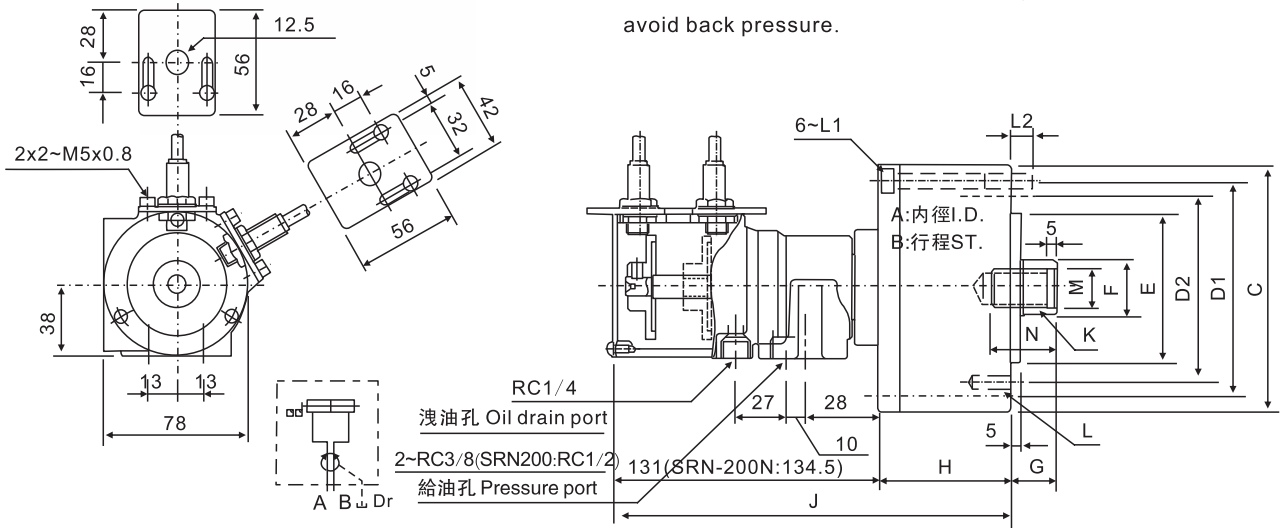
> SRN SERIES

中實回轉油壓缸附確認裝置

HYDRAULIC ROTARY CYLINDER WITH STROKE CONTROL



- ◎ 短型，高速，行程控制型回轉油壓缸。
- ◎ 感應式近接開關，行程調整容易，可確認油壓缸正確作動。
- ◎ 安裝時可由後端鎖固之。
- ◎ For short form ,high speed and stroke control.
- ◎ To ensure safe power chuck operations by conforming movement of the piston in the cylinder.
- ◎ Can screw it from the rear end of the cylinder when mounting.
- ◎ 洩油孔配管務必單獨接回油壓槽，以避免產生背壓。
- ◎ The drain port should be independently connected to oil tank to avoid back pressure.



規格 Spec 型號 Model	活塞面積 Eff.piston area cm ²		行程 (mm) Piston stroke	最高回轉速 max r.p.m	最高使用壓力 Mpa Max.pressure (kgf/cm ²)	慣性矩 kg·m ²	重量(kg) Weight
	伸側 Extend	拉側 Retract					
SRN-6520	32.0	28.3	20	6000	4.0(40)	0.01	3.2
SRN-6530			30				
SRN-75	43.0	37.1	15	5500	4.0(40)	0.013	3.7
SRN-7530			30				
SRN-100	77.4	71.5	20	5500	4.0(40)	0.04	4.8
SRN-125	121.6	113.1	25				
SRN-150	175.6	160.8	30	5500	4.0(40)	0.15	10.6
SRN-200	313.0	290.4	35				

規格 Spec 型號 Model	A	B	C	D1	D2	E h7	F	G		H	J	K	L	L1	L2	M H8	N
								max	min								
SRN-6520	65	20	97	80	60	25	25	25	25	62	193	M16x2.0	6~M8x16	M6x70	14.5	17	30
SRN-6530		30						15	203								
SRN-75	75	15	107	90	65	30	45	30	30	57	188	M20x2.5	6~M10x20	M8x60	12	21	35
SRN-7530		30						15	203								
SRN-100	100	20	132	115	100	80	35	50	25	82	213	M24x3.0	6~M12x20	M8x85		25	45
SRN-125	125	25	160	140	130	110	45	55	95	226	226	M30x3.5	12~M12x24	M10x100	16	32	45
SRN-150	150	30	190	170			55	75	115	249.5	249.5	M36x4.0	12~M16x30	M10x125	21	38	60
SRN-200	200	35	245	220	145	120	55	75	35	115	249.5	M36x4.0	12~M16x30	M10x125	21	38	60

* 保留技術更改的權利，恕不另行通知 Subject to technology changes without prior information
 * 非標需求可訂做 Non-standard requirements can be made